

**Mountain
Controls**

Website: mountaincontrols.com

Email: info@mountaincontrols.com

Phone: 206-316-2330 or 801-487-8795

Fax: 801-487-8798

GC Valves—S33 Series Direct Acting Valves Overview

Mountain Controls is proud to offer quality solenoid valves from GC valves. The S33 Series features the following:

- 3-way, direct acting valves with all ports in body
- Available in normally closed, normally open, and universal
- 0 to 200 psi
- Cv to .38
- Orifices to 11/64"
- Brass or stainless steel body
- Buna, Viton seals
- 1/8", 1/4" NPT ports

Specifications in this guide:

- [S33 Series 1/8" NPT, Brass Body, Normally Closed](#)
- [S33 Series 1/8" NPT, Stainless Steel Body, Normally Closed](#)
- [S33 Series 1/8" NPT, Brass Body, Normally Open](#)
- [S33 Series 1/8" NPT, Stainless Steel Body, Normally Open](#)
- [S33 Series 1/8" NPT, Brass Body, Universal](#)
- [S33 Series 1/8" NPT, Stainless Steel Body, Universal](#)
- [S33 Series 1/4" NPT, Brass Body, Normally Closed](#)
- [S33 Series 1/4" NPT, Stainless Steel, Normally Closed](#)
- [S33 Series 1/4" NPT, Brass Body, Normally Open](#)
- [S33 Series 1/4" NPT, Stainless Steel, Normally Open](#)
- [S33 Series 1/4" NPT, Brass Body, Universal](#)
- [S33 Series 1/4" NPT, Stainless Steel Body, Universal](#)

- 1/8" NPT
- Brass Body
- 3-Way Direct Acting
- Normally Closed



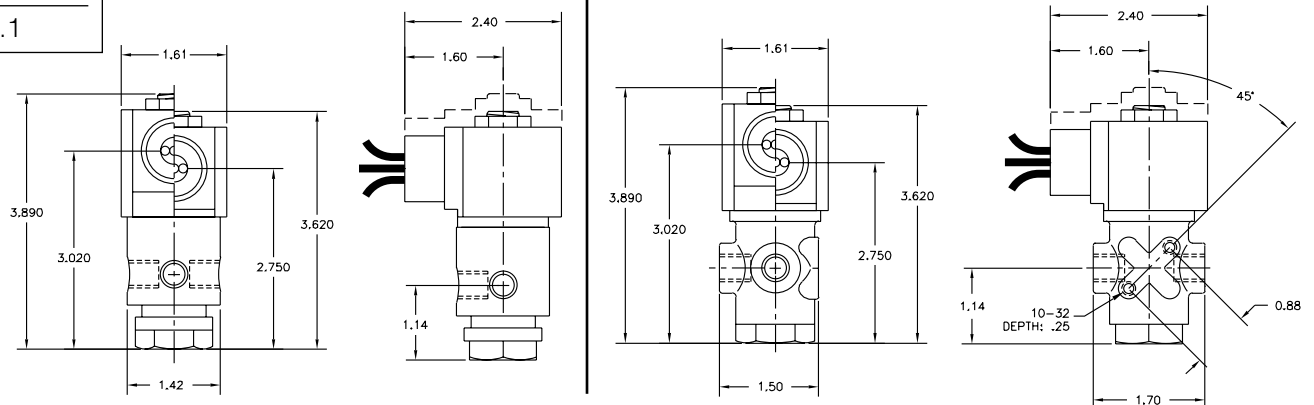
Materials	Seals:	Nitrile, Viton®, Ethylene Propylene
	Orifices:	Brass
Electrical	Standard Housing:	Encapsulated Waterproof Conduit (NEMA 4/4X)
	Optional Housings:	Metallic Conduit, Explosion-proof (NEMA 7), Grommet, Open Frame, Junction Box (single or dual knockouts), DIN; Contact GC Valves Customer Service for others.
	Standard Voltages:	24, 120, 240 AC 60 Hz; 50 Hz available 6, 12, 24 DC; Contact GC Valves Customer Service for Additional Voltages.
	Voltage Tolerance:	±10% of applicable voltage
	Coil Classes:	F, H, N
	Standard Lead Length:	24 inch
Operating Temperature	Ambient (Nominal):	32°F to 125°F
Mounting	Position	Any
Approvals*	Agency	UL Listed, UL Recognized, CSA Approved

* Not available for all variations

® Registered Trademark of DuPont Co.

Dimensions/Weight

Weight (lbs.)
1.1

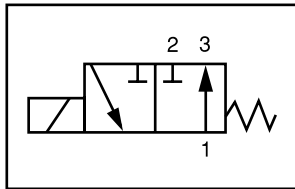




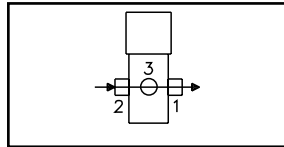
S333 – 1/8" NPT, Brass Body, Normally Closed

Valve Selection List

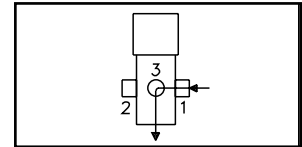
Normally Closed



Energized



De-Energized



Pipe Size NPT	Orifice Size IN	C _v	Minimum	Operating Pressure Differential (psi)						Max Fluid Temp. °F	Seal Material	Power Consumption (Watts)		Model Code (120V/60HZ — 110V/50HZ) Shown	
				Maximum								AC	DC		
				Air/Gas		Water		Light Oil							
				AC	DC	AC	DC	AC	DC			AC	DC	AC	DC
Reduced Power	1/8	1/16	.09	0	160	100	160	100	—	—	295	EPR	8	9	S333GF02C3AC5
	3/32	.15	0	100	50	100	50	—	—	295	EPR	8	9	S333GF02C3AC9	
	1/8	.26	0	50	30	50	30	—	—	295	EPR	8	9	S333GF02C3AD5	
1/8	1/16	.09	0	200	160	200	160	—	—	295	EPR	10	10	S333GF02C4AC5	
	3/32	.15	0	150	114	150	114	—	—	295	EPR	10	10	S333GF02C4AC9	
	1/8	.31	0	84	60	84	60	—	—	295	EPR	10	10	S333GF02C4AD5	
	11/64	.38	0	45	24	45	24	—	—	295	EPR	10	10	S333GF02C4AD8	
Reduced Power	1/8	1/16	.09	0	160	100	160	100	160	100	180	Nitrile	8	9	S333GF02N3AC5
	3/32	.15	0	100	50	100	50	100	50	180	Nitrile	8	9	S333GF02N3AC9	
	1/8	.26	0	50	30	50	30	50	30	180	Nitrile	8	9	S333GF02N3AD5	
1/8	1/16	.09	0	200	160	200	160	200	160	180	Nitrile	10	10	S333GF02N4AC5	
	3/32	.15	0	150	114	150	114	150	114	180	Nitrile	10	10	S333GF02N4AC9	
	1/8	.31	0	84	60	84	60	84	60	180	Nitrile	10	10	S333GF02N4AD5	
	11/64	.38	0	45	24	45	24	45	24	180	Nitrile	10	10	S333GF02N4AD8	
Reduced Power	1/8	1/16	.09	0	160	100	160	100	160	100	230	Viton	8	9	S333GF02V3AC5
	3/32	.15	0	100	50	100	50	100	50	230	Viton	8	9	S333GF02V3AC9	
	1/8	.26	0	50	30	50	30	50	30	230	Viton	8	9	S333GF02V3AD5	
1/8	1/16	.09	0	200	160	200	160	200	160	230	Viton	10	10	S333GF02V4AC5	
	3/32	.15	0	150	114	150	114	150	114	230	Viton	10	10	S333GF02V4AC9	
	1/8	.31	0	84	60	84	60	84	60	230	Viton	10	10	S333GF02V4AD5	
	11/64	.38	0	45	24	45	24	45	24	230	Viton	10	10	S333GF02V4AD8	

* Class H Coil Recommended for High Temperature Applications

S333 – 1/8" NPT, Brass Body, Normally Closed



Part Numbering

1	2	3	4	5	6	7	8	9	10	11	12	13
S	3	3	3	G	F	0	2	C	3	A	C	5
Series			Operating Mode	Housing*	Coil Class*	Voltage*		Seal Material	Body Material	Pipe Connection	Orifice Size	
S33			3: Normally Closed	G: Conduit	F: Class F	02: 120/60 110/50		C: EPR N: Nitrile V: Viton	3: Brass 4: Brass	A: 1/8" NPT	C5: 1/16" C9: 3/32" D5: 1/8" D8: 11/64"	
* See the "Engineering Guide" for additional voltages, variations and options.												

Coil Data

Coil Family	
Type	Size
(Body Code)	
3	S3
4	S4

Frequency (Hz)	60		50	
	3	4	3	4
Body				
Nominal Power (VA)				
Inrush	36	46	36	46
Holding	13	18	14	19

- 1/8" NPT
- Stainless Steel Body
- 3-Way Direct Acting
- Normally Closed



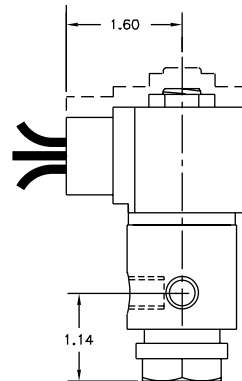
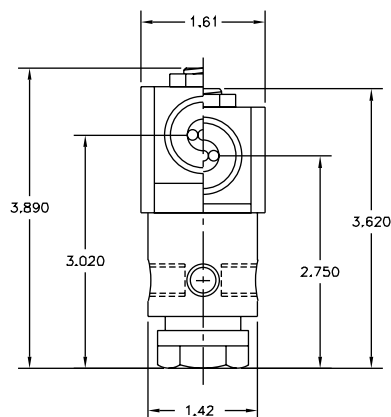
Materials	Seals:	Nitrile, Viton®, Ethylene Propylene
	Orifices:	Stainless Steel
Electrical	Standard Housing:	Encapsulated Waterproof Conduit (NEMA 4/4X)
	Optional Housings:	Metallic Conduit, Explosion-proof (NEMA 7), Grommet, Open Frame, Junction Box (single or dual knockouts), DIN; Contact GC Valves Customer Service for others.
	Standard Voltages:	24, 120, 240 AC 60 Hz; 50 Hz available 6, 12, 24 DC; Contact GC Valves Customer Service for Additional Voltages.
	Voltage Tolerance:	±10% of applicable voltage
	Coil Classes:	F, H, N
	Standard Lead Length:	24 inch
Operating Temperature	Ambient (Nominal):	32°F to 125°F
Mounting	Position	Any
Approvals*	Agency	UL Listed, UL Recognized, CSA Approved

* Not available for all variations

® Registered Trademark of DuPont Co.

Dimensions/Weight

Weight (lbs.)
1.1

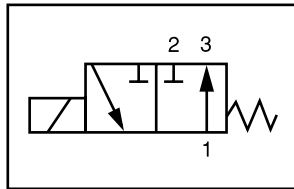




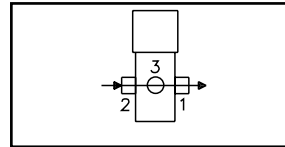
S333 – 1/8" NPT, Stainless Steel Body, Normally Closed

Valve Selection List

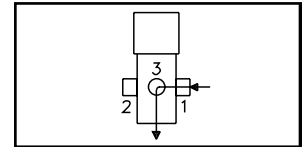
Normally Closed



Energized



De-Energized



Pipe Size NPT	Orifice Size IN	C _v	Minimum	Operating Pressure Differential (psi)						Max Fluid Temp. °F	Seat Material	Power Consumption (Watts)		Model Code (120V/60HZ — 110V/50HZ) Shown
				Maximum								AC	DC	
				Air/Gas		Water		Light Oil						
				AC	DC	AC	DC	AC	DC			AC	DC	Stainless Steel Body
1/8 Reduced Power	1/16	.09	0	160	100	160	100	—	—	295	EPR	8	9	S333GF02C7AC5
	3/32	.15	0	100	50	100	50	—	—	295	EPR	8	9	S333GF02C7AC9
	1/8	.26	0	50	30	50	30	—	—	295	EPR	8	9	S333GF02C7AD5
1/8	1/16	.09	0	200	160	200	160	—	—	295	EPR	10	10	S333GF02C8AC5
	3/32	.15	0	150	114	150	114	—	—	295	EPR	10	10	S333GF02C8AC9
	1/8	.31	0	84	60	84	60	—	—	295	EPR	10	10	S333GF02C8AD5
	11/64	.38	0	45	24	45	24	—	—	295	EPR	10	10	S333GF02C8AD8
1/8 Reduced Power	1/16	.09	0	160	100	160	100	160	100	180	Nitrile	8	9	S333GF02N7AC5
	3/32	.15	0	100	50	100	50	100	50	180	Nitrile	8	9	S333GF02N7AC9
	1/8	.26	0	50	30	50	30	50	30	180	Nitrile	8	9	S333GF02N7AD5
1/8	1/16	.09	0	200	160	200	160	200	160	180	Nitrile	10	10	S333GF02N8AC5
	3/32	.15	0	150	114	150	114	150	114	180	Nitrile	10	10	S333GF02N8AC9
	1/8	.31	0	84	60	84	60	84	60	180	Nitrile	10	10	S333GF02N8AD5
	11/64	.38	0	45	24	45	24	45	24	180	Nitrile	10	10	S333GF02N8AD8
1/8 Reduced Power	1/16	.09	0	160	100	160	100	160	100	230	Viton	8	9	S333GF02V7AC5
	3/32	.15	0	100	50	100	50	100	50	230	Viton	8	9	S333GF02V7AC9
	1/8	.26	0	50	30	50	30	50	30	230	Viton	8	9	S333GF02V7AD5
1/8	1/16	.09	0	200	160	200	160	200	160	230	Viton	10	10	S333GF02V8AC5
	3/32	.15	0	150	114	150	114	150	114	230	Viton	10	10	S333GF02V8AC9
	1/8	.31	0	84	60	84	60	84	60	230	Viton	10	10	S333GF02V8AD5
	11/64	.38	0	45	24	45	24	45	24	230	Viton	10	10	S333GF02V8AD8

* Class H Coil Recommended for High Temperature Applications

S333 – 1/8" NPT, Stainless Steel Body, Normally Closed



Part Numbering

1	2	3	4	5	6	7	8	9	10	11	12	13
S	3	3	3	G	F	0	2	C	7	A	C	5
Series			Operating Mode	Housing*	Coil Class*	Voltage*		Seal Material	Body Material	Pipe Connection	Orifice Size	
S33			3: Normally Closed	G: Conduit	F: Class F	02: 120/60 110/50		C: EPR N: Nitrile V: Viton	7: Stainless Steel 8: Stainless Steel	A: 1/8" NPT	C5: 1/16" C9: 3/32" D5: 1/8" D8: 11/64"	
* See the "Engineering Guide" for additional voltages, variations and options.												

Coil Data

Coil Family	
Type	Size
(Body Code)	
7	S3
8	S4

Frequency (Hz)	60		50	
	7	8	7	8
Body				
Nominal Power (VA)				
Inrush	36	46	36	46
Holding	13	18	14	19

- 1/8" NPT
- Brass Body
- 3-Way Direct Acting
- Normally Open



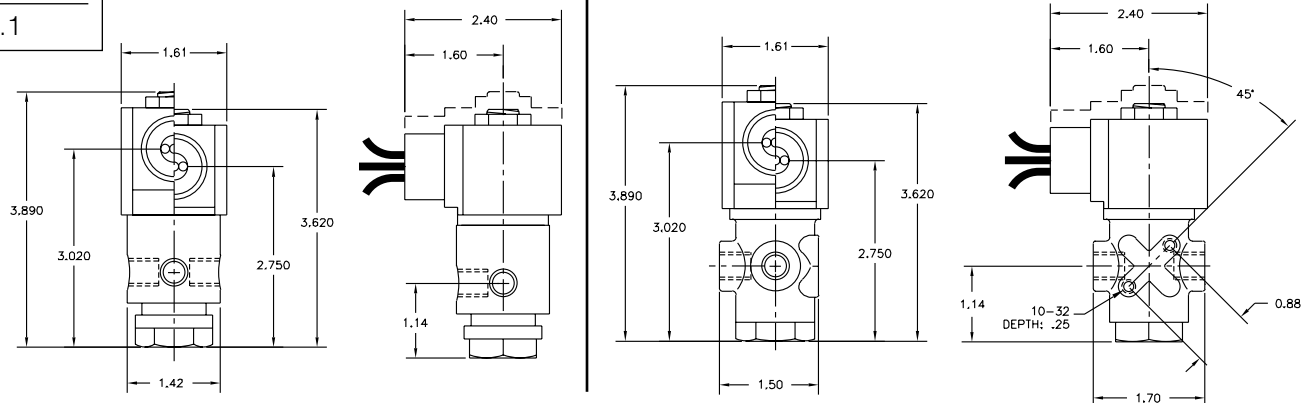
Materials	Seals:	Nitrile, Viton®, Ethylene Propylene
	Orifices:	Brass
Electrical	Standard Housing:	Encapsulated Waterproof Conduit (NEMA 4/4X)
	Optional Housings:	Metallic Conduit, Explosion-proof (NEMA 7), Grommet, Open Frame, Junction Box (single or dual knockouts), DIN; Contact GC Valves Customer Service for others.
	Standard Voltages:	24, 120, 240 AC 60 Hz; 50 Hz available 6, 12, 24 DC; Contact GC Valves Customer Service for Additional Voltages.
	Voltage Tolerance:	±10% of applicable voltage
	Coil Classes:	F, H, N
	Standard Lead Length:	24 inch
Operating Temperature	Ambient (Nominal):	32°F to 125°F
Mounting	Position	Any
Approvals*	Agency	UL Listed, UL Recognized, CSA Approved

* Not available for all variations

® Registered Trademark of DuPont Co.

Dimensions/Weight

Weight (lbs.)
1.1

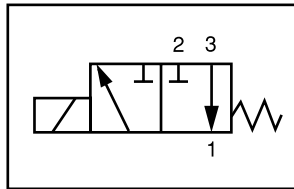




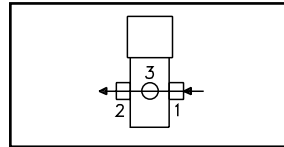
S334 – 1/8" NPT, Brass Body, Normally Open

Valve Selection List

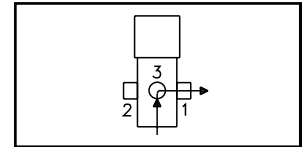
Normally Open



Energized



De-Energized



Pipe Size NPT	Orifice Size IN	C _v	Minimum	Operating Pressure Differential (psi)						Max Fluid Temp. °F	Seal Material	Power Consumption (Watts)		Model Code (120V/60HZ — 110V/50HZ) Shown	
				Maximum								AC	DC		
				Air/Gas		Water		Light Oil							
				AC	DC	AC	DC	AC	DC			AC	DC	Brass Body	
Reduced Power	1/8	1/16	.09	0	160	100	160	100	—	—	295	EPR	8	9	S334GF02C3AC5
	3/32	.15	0	100	50	100	50	—	—	295	EPR	8	9	S334GF02C3AC9	
	1/8	.26	0	50	30	50	30	—	—	295	EPR	8	9	S334GF02C3AD5	
1/8	1/16	.09	0	200	160	200	160	—	—	295	EPR	10	10	S334GF02C4AC5	
	3/32	.15	0	150	114	150	114	—	—	295	EPR	10	10	S334GF02C4AC9	
	1/8	.31	0	84	60	84	60	—	—	295	EPR	10	10	S334GF02C4AD5	
	11/64	.38	0	45	24	45	24	—	—	295	EPR	10	10	S334GF02C4AD8	
Reduced Power	1/8	1/16	.09	0	160	100	160	100	160	100	180	Nitrile	8	9	S334GF02N3AC5
	3/32	.15	0	100	50	100	50	100	50	180	Nitrile	8	9	S334GF02N3AC9	
	1/8	.26	0	50	30	50	30	50	30	180	Nitrile	8	9	S334GF02N3AD5	
1/8	1/16	.09	0	200	160	200	160	200	160	180	Nitrile	10	10	S334GF02N4AC5	
	3/32	.15	0	150	114	150	114	150	114	180	Nitrile	10	10	S334GF02N4AC9	
	1/8	.31	0	84	60	84	60	84	60	180	Nitrile	10	10	S334GF02N4AD5	
	11/64	.38	0	45	24	45	24	45	24	180	Nitrile	10	10	S334GF02N4AD8	
Reduced Power	1/8	1/16	.09	0	160	100	160	100	160	100	230	Viton	8	9	S334GF02V3AC5
	3/32	.15	0	100	50	100	50	100	50	230	Viton	8	9	S334GF02V3AC9	
	1/8	.26	0	50	30	50	30	50	30	230	Viton	8	9	S334GF02V3AD5	
1/8	1/16	.09	0	200	160	200	160	200	160	230	Viton	10	10	S334GF02V4AC5	
	3/32	.15	0	150	114	150	114	150	114	230	Viton	10	10	S334GF02V4AC9	
	1/8	.31	0	84	60	84	60	84	60	230	Viton	10	10	S334GF02V4AD5	
	11/64	.38	0	45	24	45	24	45	24	230	Viton	10	10	S334GF02V4AD8	

* Class H Coil Recommended for High Temperature Applications

S334 – 1/8" NPT, Brass Body, Normally Open



Part Numbering

1	2	3	4	5	6	7	8	9	10	11	12	13
S	3	3	4	G	F	0	2	C	3	A	C	5
Series			Operating Mode	Housing*	Coil Class*	Voltage*		Seal Material	Body Material	Pipe Connection	Orifice Size	
S33			4: Normally Open	G: Conduit	F: Class F	02: 120/60 110/50		C: EPR N: Nitrile V: Viton	3: Brass 4: Brass	A: 1/8" NPT	C5: 1/16" C9: 3/32" D5: 1/8" D8: 11/64"	
* See the "Engineering Guide" for additional voltages, variations and options.												

Coil Data

Coil Family	
Type	Size
(Body Code)	
3	S3
4	S4

Frequency (Hz)	60		50	
	3	4	3	4
Body				
Nominal Power (VA)				
Inrush	36	46	36	46
Holding	13	18	14	19

- 1/8" NPT
- Stainless Steel Body
- 3-Way Direct Acting
- Normally Open



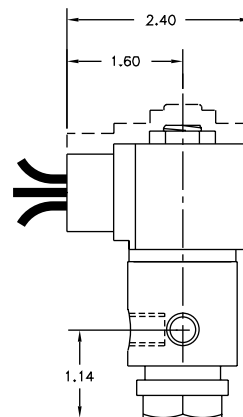
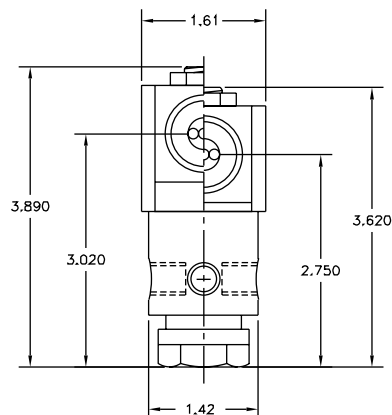
Materials	Seals:	Nitrile, Viton®, Ethylene Propylene
	Orifices:	Stainless Steel
Electrical	Standard Housing:	Encapsulated Waterproof Conduit (NEMA 4/4X)
	Optional Housings:	Metallic Conduit, Explosion-proof (NEMA 7), Grommet, Open Frame, Junction Box (single or dual knockouts), DIN; Contact GC Valves Customer Service for others.
	Standard Voltages:	24, 120, 240 AC 60 Hz; 50 Hz available 6, 12, 24 DC; Contact GC Valves Customer Service for Additional Voltages.
	Voltage Tolerance:	±10% of applicable voltage
	Coil Classes:	F, H, N
	Standard Lead Length:	24 inch
Operating Temperature	Ambient (Nominal):	32°F to 125°F
Mounting	Position	Any
Approvals*	Agency	UL Listed, UL Recognized, CSA Approved

* Not available for all variations

® Registered Trademark of DuPont Co.

Dimensions/Weight

Weight (lbs.)
1.1

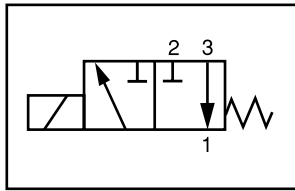




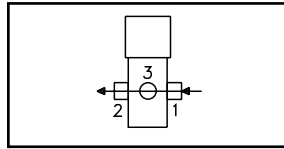
S334 – 1/8" NPT, Stainless Steel Body, Normally Open

Valve Selection List

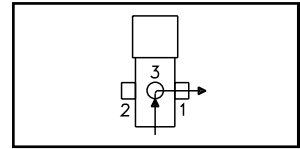
Normally Open



Energized



De-Energized



Pipe Size NPT	Orifice Size IN	C _v	Minimum	Operating Pressure Differential (psi)						Max Fluid Temp. °F	Seal Material	Power Consumption (Watts)		Model Code (120V/60HZ — 110V/50HZ) Shown	
				Maximum								AC	DC		
				Air/Gas		Water		Light Oil							
				AC	DC	AC	DC	AC	DC			AC	DC	Stainless Steel Body	
Reduced Power	1/8	1/16	.09	0	160	100	160	100	—	—	295	EPR	8	9	S334GF02C7AC5
	3/32	.15	0	100	50	100	50	—	—	295	EPR	8	9	S334GF02C7AC9	
	1/8	.26	0	50	30	50	30	—	—	295	EPR	8	9	S334GF02C7AD5	
1/8	1/16	.09	0	200	160	200	160	—	—	295	EPR	10	10	S334GF02C8AC5	
	3/32	.15	0	150	114	150	114	—	—	295	EPR	10	10	S334GF02C8AC9	
	1/8	.31	0	84	60	84	60	—	—	295	EPR	10	10	S334GF02C8AD5	
	11/64	.38	0	45	24	45	24	—	—	295	EPR	10	10	S334GF02C8AD8	
Reduced Power	1/8	1/16	.09	0	160	100	160	100	160	100	180	Nitrile	8	9	S334GF02N7AC5
	3/32	.15	0	100	50	100	50	100	50	180	Nitrile	8	9	S334GF02N7AC9	
	1/8	.26	0	50	30	50	30	50	30	180	Nitrile	8	9	S334GF02N7AD5	
1/8	1/16	.09	0	200	160	200	160	200	160	180	Nitrile	10	10	S334GF02N8AC5	
	3/32	.15	0	150	114	150	114	150	114	180	Nitrile	10	10	S334GF02N8AC9	
	1/8	.31	0	84	60	84	60	84	60	180	Nitrile	10	10	S334GF02N8AD5	
	11/64	.38	0	45	24	45	24	45	24	180	Nitrile	10	10	S334GF02N8AD8	
Reduced Power	1/8	1/16	.09	0	160	100	160	100	160	100	230	Viton	8	9	S334GF02V7AC5
	3/32	.15	0	100	50	100	50	100	50	230	Viton	8	9	S334GF02V7AC9	
	1/8	.26	0	50	30	50	30	50	30	230	Viton	8	9	S334GF02V7AD5	
1/8	1/16	.09	0	200	160	200	160	200	160	230	Viton	10	10	S334GF02V8AC5	
	3/32	.15	0	150	114	150	114	150	114	230	Viton	10	10	S334GF02V8AC9	
	1/8	.31	0	84	60	84	60	84	60	230	Viton	10	10	S334GF02V8AD5	
	11/64	.38	0	45	24	45	24	45	24	230	Viton	10	10	S334GF02V8AD8	

* Class H Coil Recommended for High Temperature Applications

S334 – 1/8" NPT, Stainless Steel Body, Normally Open



Part Numbering

1	2	3	4	5	6	7	8	9	10	11	12	13
S	3	3	4	G	F	0	2	C	7	A	C	5
Series			Operating Mode	Housing*	Coil Class*	Voltage*		Seal Material	Body Material	Pipe Connection	Orifice Size	
S33			4: Normally Open	G: Conduit	F: Class F	02: 120/60 110/50		C: EPR N: Nitrile V: Viton	7: Stainless Steel 8: Stainless Steel	A: 1/8" NPT	C5: 1/16" C9: 3/32" D5: 1/8" D8: 11/64"	
* See the "Engineering Guide" for additional voltages, variations and options.												

Coil Data

Coil Family	
Type	Size
(Body Code)	
7	S3
8	S4

Frequency (Hz)	60		50	
	7	8	7	8
Body				
Nominal Power (VA)				
Inrush	36	46	36	46
Holding	13	18	14	19

- 1/8" NPT
- Brass Body
- 3-Way Direct Acting
- Universal



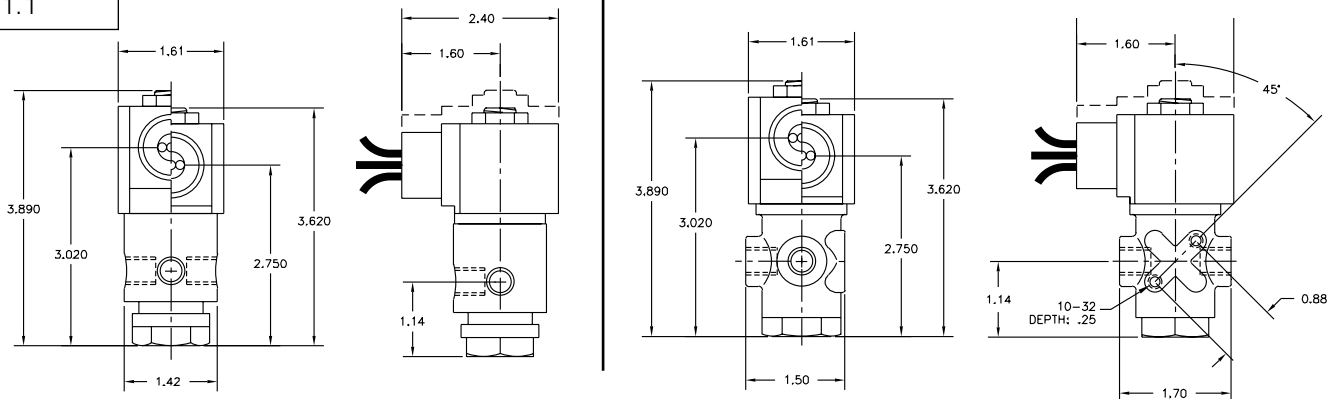
Materials	Seals:	Nitrile, Viton®, Ethylene Propylene
	Orifices:	Brass
Electrical	Standard Housing:	Encapsulated Waterproof Conduit (NEMA 4/4X)
	Optional Housings:	Metallic Conduit, Explosion-proof (NEMA 7), Grommet, Open Frame, Junction Box (single or dual knockouts), DIN; Contact GC Valves Customer Service for others.
	Standard Voltages:	24, 120, 240 AC 60 Hz; 50 Hz available 6, 12, 24 DC; Contact GC Valves Customer Service for Additional Voltages.
	Voltage Tolerance:	±10% of applicable voltage
	Coil Classes:	F, H, N
	Standard Lead Length:	24 inch
Operating Temperature	Ambient (Nominal):	32°F to 125°F
Mounting	Position	Any
Approvals*	Agency	UL Listed, UL Recognized, CSA Approved

* Not available for all variations

® Registered Trademark of DuPont Co.

Dimensions/Weight

Weight (lbs.)
1.1

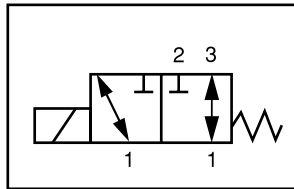




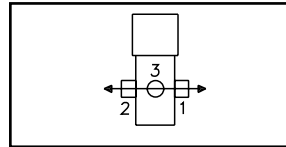
S336 – 1/8" NPT, Brass Body, Universal

Valve Selection List

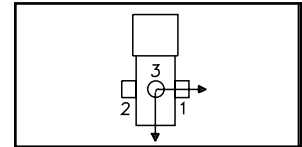
Universal



Energized



De-Energized



Pipe Size NPT	Orifice Size IN	C _v	Minimum	Operating Pressure Differential (psi)						Max Fluid Temp. °F	Seal Material	Power Consumption (Watts)		Model Code (120V/60HZ — 110V/50HZ) Shown	
				Maximum								AC	DC		
				Air/Gas		Water		Light Oil							
				AC	DC	AC	DC	AC	DC			AC	DC	Brass Body	
Reduced Power	1/8	1/16	.09	0	90	50	90	50	—	—	295	EPR	8	9	S336GF02C3AC5
	3/32	.15	0	55	40	55	40	—	—	295	EPR	8	9	S336GF02C3AC9	
	1/8	.26	0	25	20	25	20	—	—	295	EPR	8	9	S336GF02C3AD5	
1/8	1/16	.09	0	100	80	100	80	—	—	295	EPR	10	10	S336GF02C4AC5	
	3/32	.15	0	60	50	60	50	—	—	295	EPR	10	10	S336GF02C4AC9	
	1/8	.31	0	34	30	34	30	—	—	295	EPR	10	10	S336GF02C4AD5	
	11/64	.38	0	22	11	22	11	—	—	295	EPR	10	10	S336GF02C4AD8	
Reduced Power	1/8	1/16	.09	0	90	50	90	50	90	50	180	Nitrile	8	9	S336GF02N3AC5
	3/32	.15	0	55	40	55	40	55	40	180	Nitrile	8	9	S336GF02N3AC9	
	1/8	.26	0	25	20	25	20	25	20	180	Nitrile	8	9	S336GF02N3AD5	
1/8	1/16	.09	0	100	80	100	80	100	80	180	Nitrile	10	10	S336GF02N4AC5	
	3/32	.15	0	60	50	60	50	60	50	180	Nitrile	10	10	S336GF02N4AC9	
	1/8	.31	0	34	30	34	30	34	30	180	Nitrile	10	10	S336GF02N4AD5	
	11/64	.38	0	22	11	22	11	22	11	180	Nitrile	10	10	S336GF02N4AD8	
Reduced Power	1/8	1/16	.09	0	90	50	90	50	90	50	230	Viton	8	9	S336GF02V3AC5
	3/32	.15	0	55	40	55	40	55	40	230	Viton	8	9	S336GF02V3AC9	
	1/8	.26	0	25	20	25	20	25	20	230	Viton	8	9	S336GF02V3AD5	
1/8	1/16	.09	0	100	80	100	80	100	80	230	Viton	10	10	S336GF02V4AC5	
	3/32	.15	0	60	50	60	50	60	50	230	Viton	10	10	S336GF02V4AC9	
	1/8	.31	0	34	30	34	30	34	30	230	Viton	10	10	S336GF02V4AD5	
	11/64	.38	0	22	11	22	11	22	11	230	Viton	10	10	S336GF02V4AD8	

* Class H Coil Recommended for High Temperature Applications

S336 – 1/8" NPT, Brass Body, Universal



Part Numbering

1	2	3	4	5	6	7	8	9	10	11	12	13
S	3	3	6	G	F	0	2	C	3	A	C	5
Series			Operating Mode	Housing*	Coil Class*	Voltage*		Seal Material	Body Material	Pipe Connection	Orifice Size	
S33			6: Universal	G: Conduit	F: Class F	02: 120/60 110/50		C: EPR N: Nitrile V: Viton	3: Brass 4: Brass	A: 1/8" NPT	C5: 1/16" C9: 3/32" D5: 1/8" D8: 11/64"	
* See the "Engineering Guide" for additional voltages, variations and options.												

Coil Data

Coil Family	
Type	Size
(Body Code)	
3	S3
4	S4

Frequency (Hz)	60		50	
	3	4	3	4
Body				
Nominal Power (VA)				
Inrush	36	46	36	46
Holding	13	18	13	19

- 1/8" NPT
- Stainless Steel Body
- 3-Way Direct Acting
- Universal



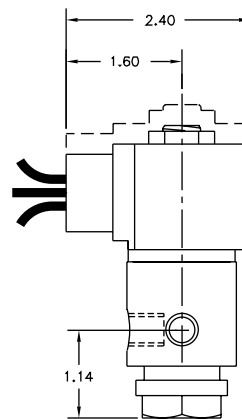
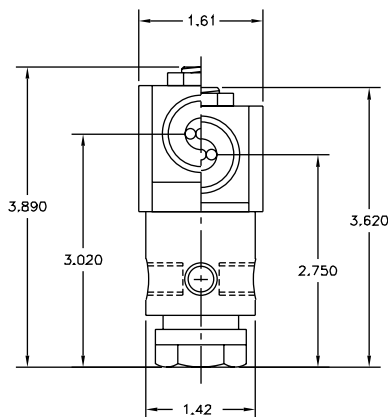
Materials	Seals:	Nitrile, Viton®, Ethylene Propylene
	Orifices:	Stainless Steel
Electrical	Standard Housing:	Encapsulated Waterproof Conduit (NEMA 4/4X)
	Optional Housings:	Metallic Conduit, Explosion-proof (NEMA 7), Grommet, Open Frame, Junction Box (single or dual knockouts), DIN; Contact GC Valves Customer Service for others.
	Standard Voltages:	24, 120, 240 AC 60 Hz; 50 Hz available 6, 12, 24 DC; Contact GC Valves Customer Service for Additional Voltages.
	Voltage Tolerance:	±10% of applicable voltage
	Coil Classes:	F, H, N
	Standard Lead Length:	24 inch
Operating Temperature	Ambient (Nominal):	32°F to 125°F
Mounting	Position	Any
Approvals*	Agency	UL Listed, UL Recognized, CSA Approved

* Not available for all variations

® Registered Trademark of DuPont Co.

Dimensions/Weight

Weight (lbs.)
1.1

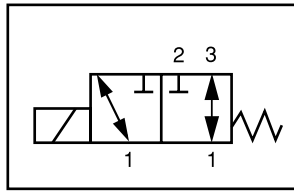




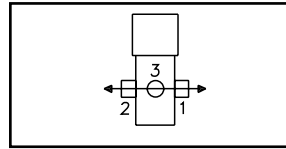
S336 – 1/8" NPT, Stainless Steel Body, Universal

Valve Selection List

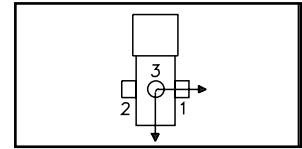
Universal



Energized



De-Energized



Pipe Size NPT	Orifice Size IN	C _v	Minimum	Operating Pressure Differential (psi)						Max Fluid Temp. °F	Seal Material	Power Consumption (Watts)		Model Code (120V/60HZ — 110V/50HZ) Shown	
				Maximum								AC	DC		
				Air/Gas		Water		Light Oil							
				AC	DC	AC	DC	AC	DC			AC	DC	Stainless Steel Body	
Reduced Power	1/8	1/16	.09	0	90	50	90	50	–	–	295	EPR	8	9	S336GF02C7AC5
	3/32	.15	0	55	40	55	40	–	–	295	EPR	8	9	S336GF02C7AC9	
	1/8	.26	0	25	20	25	20	–	–	295	EPR	8	9	S336GF02C7AD5	
1/8	1/16	.09	0	100	80	100	80	–	–	295	EPR	10	10	S336GF02C8AC5	
	3/32	.15	0	60	50	60	50	–	–	295	EPR	10	10	S336GF02C8AC9	
	1/8	.31	0	34	30	34	30	–	–	295	EPR	10	10	S336GF02C8AD5	
	11/64	.38	0	22	11	22	11	–	–	295	EPR	10	10	S336GF02C8AD8	
Reduced Power	1/8	1/16	.09	0	90	50	90	50	90	50	180	Nitrile	8	9	S336GF02N7AC5
	3/32	.15	0	55	40	55	40	55	40	180	Nitrile	8	9	S336GF02N7AC9	
	1/8	.26	0	25	20	25	20	25	20	180	Nitrile	8	9	S336GF02N7AD5	
1/8	1/16	.09	0	100	80	100	80	100	80	180	Nitrile	10	10	S336GF02N8AC5	
	3/32	.15	0	60	50	60	50	60	50	180	Nitrile	10	10	S336GF02N8AC9	
	1/8	.31	0	34	30	34	30	34	30	180	Nitrile	10	10	S336GF02N8AD5	
	11/64	.38	0	22	11	22	11	22	11	180	Nitrile	10	10	S336GF02N8AD8	
Reduced Power	1/8	1/16	.09	0	90	50	90	50	90	50	230	Viton	8	9	S336GF02V7AC5
	3/32	.15	0	55	40	55	40	55	40	230	Viton	8	9	S336GF02V7AC9	
	1/8	.26	0	25	20	25	20	25	20	230	Viton	8	9	S336GF02V7AD5	
1/8	1/16	.09	0	100	80	100	80	100	80	230	Viton	10	10	S336GF02V8AC5	
	3/32	.15	0	60	50	60	50	60	50	230	Viton	10	10	S336GF02V8AC9	
	1/8	.31	0	34	30	34	30	34	30	230	Viton	10	10	S336GF02V8AD5	
	11/64	.38	0	22	11	22	11	22	11	230	Viton	10	10	S336GF02V8AD8	

* Class H Coil Recommended for High Temperature Applications

S336 – 1/8" NPT, Stainless Steel Body, Universal



Part Numbering

1	2	3	4	5	6	7	8	9	10	11	12	13
S	3	3	6	G	F	0	2	C	7	A	C	5
Series			Operating Mode	Housing*	Coil Class*	Voltage*		Seal Material	Body Material	Pipe Connection	Orifice Size	
S33			6: Universal	G: Conduit	F: Class F	02: 120/60 110/50		C: EPR N: Nitrile V: Viton	7: Stainless Steel 8: Stainless Steel	A: 1/8" NPT	C5: 1/16" C9: 3/32" D5: 1/8" D8: 11/64"	
* See the "Engineering Guide" for additional voltages, variations and options.												

Coil Data

Coil Family	
Type	Size
(Body Code)	
7	S3
8	S4

		60		50	
		7	8	7	8
Frequency (Hz)	Body				
Nominal Power (VA)	Inrush	36	46	36	46
	Holding	13	18	14	19

- 1/4" NPT
- Brass Body
- 3-Way Direct Acting
- Normally Closed



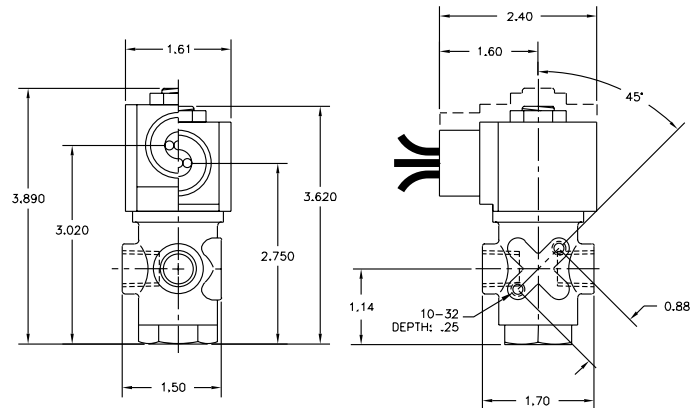
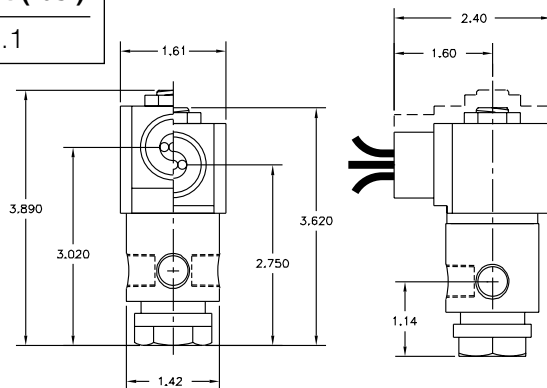
Materials	Seals:	Nitrile, Viton®, Ethylene Propylene
	Orifices:	Brass
Electrical	Standard Housing:	Encapsulated Waterproof Conduit (NEMA 4/4X)
	Optional Housings:	Metallic Conduit, Explosion-proof (NEMA 7), Grommet, Open Frame, Junction Box (single or dual knockouts), DIN; Contact GC Valves Customer Service for others.
	Standard Voltages:	24, 120, 240 AC 60 Hz; 50 Hz available 6, 12, 24 DC; Contact GC Valves Customer Service for Additional Voltages.
	Voltage Tolerance:	±10% of applicable voltage
	Coil Classes:	F, H, N
	Standard Lead Length:	24 inch
Operating Temperature	Ambient (Nominal):	32°F to 125°F
Mounting	Position	Any
Approvals*	Agency	UL Listed, UL Recognized, CSA Approved

* Not available for all variations

® Registered Trademark of DuPont Co.

Dimensions/Weight

Weight (lbs.)
1.1

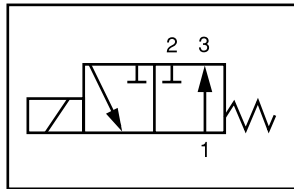




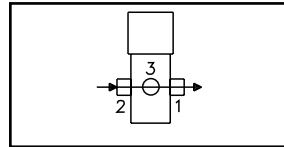
S333 – 1/4" NPT, Brass Body, Normally Closed

Valve Selection List

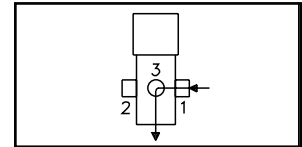
Normally Closed



Energized



De-Energized



Pipe Size NPT	Orifice Size IN	C _v	Minimum	Operating Pressure Differential (psi)						Max Fluid Temp. °F	Seal Material	Power Consumption (Watts)		Model Code (120V/60HZ — 110V/50HZ) Shown
				Maximum								AC	DC	
				Air/Gas		Water		Light Oil						
				AC	DC	AC	DC	AC	DC			AC	DC	Brass Body
1/4 Reduced Power	1/16	.09	0	160	100	160	100	—	—	295	EPR	8	9	S333GF02C3BC5
	3/32	.15	0	100	50	100	50	—	—	295	EPR	8	9	S333GF02C3BC9
	1/8	.26	0	50	30	50	30	—	—	295	EPR	8	9	S333GF02C3BD5
1/4	1/16	.09	0	200	160	200	160	—	—	295	EPR	10	10	S333GF02C4BC5
	3/32	.15	0	150	114	150	114	—	—	295	EPR	10	10	S333GF02C4BC9
	1/8	.31	0	84	60	84	60	—	—	295	EPR	10	10	S333GF02C4BD5
	11/64	.38	0	45	24	45	24	—	—	295	EPR	10	10	S333GF02C4BD8
1/4 Reduced Power	1/16	.09	0	160	100	160	100	160	100	180	Nitrile	8	9	S333GF02N3BC5
	3/32	.15	0	100	50	100	50	100	50	180	Nitrile	8	9	S333GF02N3BC9
	1/8	.26	0	50	30	50	30	50	30	180	Nitrile	8	9	S333GF02N3BD5
1/4	1/16	.09	0	200	160	200	160	200	160	180	Nitrile	10	10	S333GF02N4BC5
	3/32	.15	0	150	114	150	114	150	114	180	Nitrile	10	10	S333GF02N4BC9
	1/8	.31	0	84	60	84	60	84	60	180	Nitrile	10	10	S333GF02N4BD5
	11/64	.38	0	45	24	45	24	45	24	180	Nitrile	10	10	S333GF02N4BD8
1/4 Reduced Power	1/16	.09	0	160	100	160	100	160	100	230	Viton	8	9	S333GF02V3BC5
	3/32	.15	0	100	50	100	50	100	50	230	Viton	8	9	S333GF02V3BC9
	1/8	.26	0	50	30	50	30	50	30	230	Viton	8	9	S333GF02V3BD5
1/4	1/16	.09	0	200	160	200	160	200	160	230	Viton	10	10	S333GF02V4BC5
	3/32	.15	0	150	114	150	114	150	114	230	Viton	10	10	S333GF02V4BC9
	1/8	.31	0	84	60	84	60	84	60	230	Viton	10	10	S333GF02V4BD5
	11/64	.38	0	45	24	45	24	45	24	230	Viton	10	10	S333GF02V4BD8

* Class H Coil Recommended for High Temperature Applications

S333 – 1/4" NPT, Brass Body, Normally Closed



Part Numbering

1	2	3	4	5	6	7	8	9	10	11	12	13
S	3	3	3	G	F	0	2	C	3	B	C	5
Series			Operating Mode	Housing*	Coil Class*	Voltage*		Seal Material	Body Material	Pipe Connection	Orifice Size	
S33			3: Normally Closed	G: Conduit	F: Class F	02: 120/60 110/50		C: EPR N: Nitrile V: Viton	3: Brass 4: Brass	B: 1/4" NPT	C5: 1/16" C9: 3/32" D5: 1/8" D8: 11/64	
* See the "Engineering Guide" for additional voltages, variations and options.												

Coil Data

Coil Family	
Type	Size
(Body Code)	
3	S3
4	S4

Frequency (Hz)	60		50	
	3	4	3	4
Body	36	46	36	46
Nominal Power (VA)	13	18	14	
Inrush				
Holding				

- 1/4" NPT
- Stainless Steel Body
- 3-Way Direct Acting
- Normally Closed



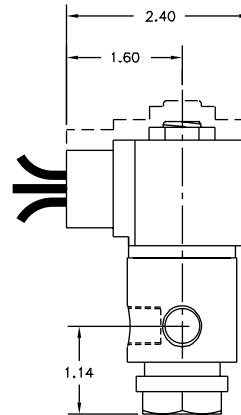
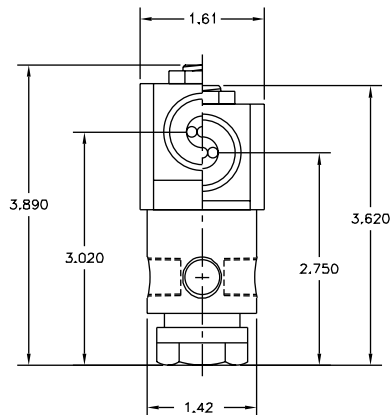
Materials	Seals:	Nitrile, Viton®, Ethylene Propylene
	Orifices:	Stainless Steel
Electrical	Standard Housing:	Encapsulated Waterproof Conduit (NEMA 4/4X)
	Optional Housings:	Metallic Conduit, Explosion-proof (NEMA 7), Grommet, Open Frame, Junction Box (single or dual knockouts), DIN; Contact GC Valves Customer Service for others.
	Standard Voltages:	24, 120, 240 AC 60 Hz; 50 Hz available 6, 12, 24 DC; Contact GC Valves Customer Service for Additional Voltages.
	Voltage Tolerance:	±10% of applicable voltage
	Coil Classes:	F, H, N
	Standard Lead Length:	24 inch
Operating Temperature	Ambient (Nominal):	32°F to 125°F
Mounting	Position	Any
Approvals*	Agency	UL Listed, UL Recognized, CSA Approved

* Not available for all variations

® Registered Trademark of DuPont Co.

Dimensions/Weight

Weight (lbs.)
1.1

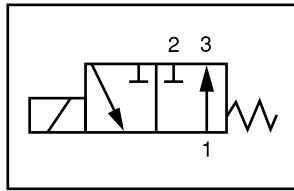




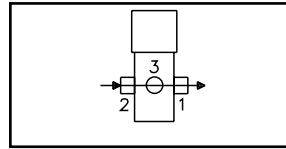
S333 – 1/4" NPT, Stainless Steel Body, Normally Closed

Valve Selection List

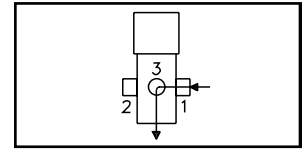
Normally Closed



Energized



De-Energized



Pipe Size NPT	Orifice Size IN	C _v	Minimum	Operating Pressure Differential (psi)						Max Fluid Temp. °F	Seat Material	Power Consumption (Watts)		Model Code (120V/60HZ — 110V/50HZ) Shown
				Maximum								AC	DC	
				Air/Gas		Water		Light Oil						
				AC	DC	AC	DC	AC	DC			AC	DC	Stainless Steel Body
1/4 Reduced Power	1/16	.09	0	160	100	160	100	—	—	295	EPR	8	9	S333GF02C7BC5
	3/32	.15	0	100	50	100	50	—	—	295	EPR	8	9	S333GF02C7BC9
	1/8	.26	0	50	30	50	30	—	—	295	EPR	8	9	S333GF02C7BD5
1/4	1/16	.09	0	200	160	200	160	—	—	295	EPR	10	10	S333GF02C8BC5
	3/32	.15	0	150	114	150	114	—	—	295	EPR	10	10	S333GF02C8BC9
	1/8	.31	0	84	60	84	60	—	—	295	EPR	10	10	S333GF02C8BD5
	11/64	.38	0	45	24	45	24	—	—	295	EPR	10	10	S333GF02C8BD8
1/4 Reduced Power	1/16	.09	0	160	100	160	100	160	100	180	Nitrile	8	9	S333GF02N7BC5
	3/32	.15	0	100	50	100	50	100	50	180	Nitrile	8	9	S333GF02N7BC9
	1/8	.26	0	50	30	50	30	50	30	180	Nitrile	8	9	S333GF02N7BD5
1/4	1/16	.09	0	200	160	200	160	200	160	180	Nitrile	10	10	S333GF02N8BC5
	3/32	.15	0	150	114	150	114	150	114	180	Nitrile	10	10	S333GF02N8BC9
	1/8	.31	0	84	60	84	60	84	60	180	Nitrile	10	10	S333GF02N8BD5
	11/64	.38	0	45	24	45	24	45	24	180	Nitrile	10	10	S333GF02N8BD8
1/4 Reduced Power	1/16	.09	0	160	100	160	100	160	100	230	Viton	8	9	S333GF02V7BC5
	3/32	.15	0	100	50	100	50	100	50	230	Viton	8	9	S333GF02V7BC9
	1/8	.26	0	50	30	50	30	50	30	230	Viton	8	9	S333GF02V7BD5
1/4	1/16	.09	0	200	160	200	160	200	160	230	Viton	10	10	S333GF02V8BC5
	3/32	.15	0	150	114	150	114	150	114	230	Viton	10	10	S333GF02V8BC9
	1/8	.31	0	84	60	84	60	84	60	230	Viton	10	10	S333GF02V8BD5
	11/64	.38	0	45	24	45	24	45	24	230	Viton	10	10	S333GF02V8BD8

* Class H Coil Recommended for High Temperature Applications

S333 – 1/4" NPT, Stainless Steel Body, Normally Closed



Part Numbering

1	2	3	4	5	6	7	8	9	10	11	12	13
S	3	3	3	G	F	0	2	C	7	B	C	5
Series			Operating Mode	Housing*	Coil Class*	Voltage*		Seal Material	Body Material	Pipe Connection	Orifice Size	
S33			3: Normally Closed	G: Conduit	F: Class F	02: 120/60 110/50		C: EPR N: Nitrile V: Viton	7: Stainless Steel 8: Stainless Steel	B: 1/4" NPT	C5: 1/16" C9: 3/32" D5: 1/8" D8: 11/64"	
* See the "Engineering Guide" for additional voltages, variations and options.												

Coil Data

Coil Family	
Type	Size
(Body Code)	
7	S3
8	S4

Frequency (Hz)	60		50	
	7	8	7	8
Body	7	8	7	8
Nominal Power (VA)				
Inrush	36	46	36	46
Holding	13	18	14	19

- 1/4" NPT
- Brass Body
- 3-Way Direct Acting
- Normally Open



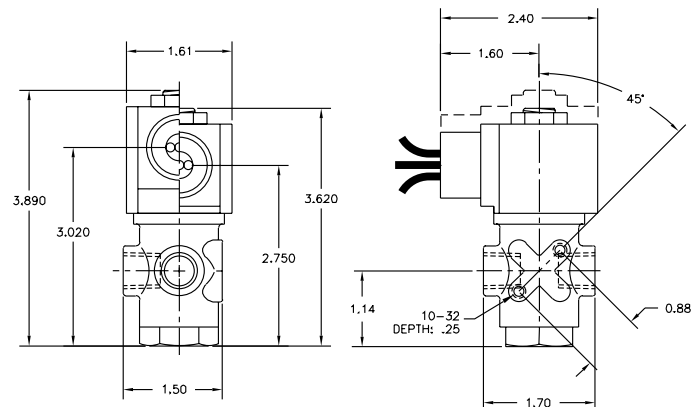
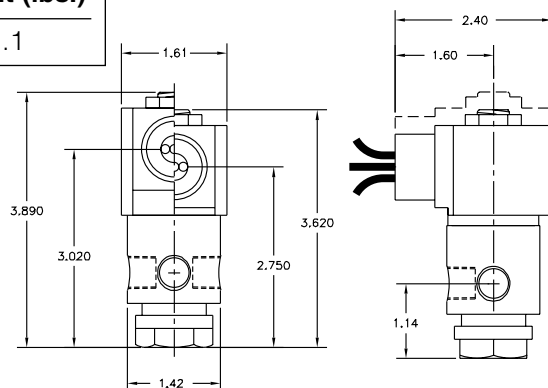
Materials	Seals:	Nitrile, Viton®, Ethylene Propylene
	Orifices:	Brass
Electrical	Standard Housing:	Encapsulated Waterproof Conduit (NEMA 4/4X)
	Optional Housings:	Metallic Conduit, Explosion-proof (NEMA 7), Grommet, Open Frame, Junction Box (single or dual knockouts), DIN; Contact GC Valves Customer Service for others.
	Standard Voltages:	24, 120, 240 AC 60 Hz; 50 Hz available 6, 12, 24 DC; Contact GC Valves Customer Service for Additional Voltages.
	Voltage Tolerance:	±10% of applicable voltage
	Coil Classes:	F, H, N
	Standard Lead Length:	24 inch
Operating Temperature	Ambient (Nominal):	32°F to 125°F
Mounting	Position	Any
Approvals*	Agency	UL Listed, UL Recognized, CSA Approved

* Not available for all variations

® Registered Trademark of DuPont Co.

Dimensions/Weight

Weight (lbs.)
1.1

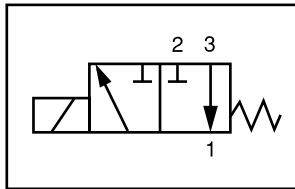




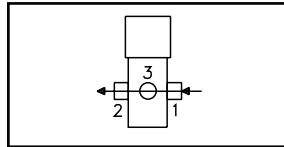
S334 – 1/4" NPT, Brass Body, Normally Open

Valve Selection List

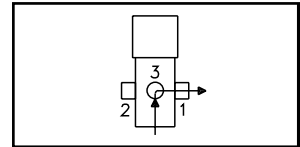
Normally Open



Energized



De-Energized



Pipe Size NPT	Orifice Size IN	C _v	Minimum	Operating Pressure Differential (psi)						Max Fluid Temp. °F	Seal Material	Power Consumption (Watts)		Model Code (120V/60HZ — 110V/50HZ) Shown	
				Maximum								AC	DC		
				Air/Gas		Water		Light Oil							
				AC	DC	AC	DC	AC	DC			AC	DC	Brass Body	
Reduced Power	1/4	1/16	.09	0	160	100	160	100	—	—	295	EPR	8	9	S334GF02C3BC5
	3/32	.15	0	100	50	100	50	—	—	295	EPR	8	9	S334GF02C3BC9	
	1/8	.26	0	50	30	50	30	—	—	295	EPR	8	9	S334GF02C3BD5	
1/4	1/16	.09	0	200	160	200	160	—	—	295	EPR	10	10	S334GF02C4BC5	
	3/32	.15	0	150	114	150	114	—	—	295	EPR	10	10	S334GF02C4BC9	
	1/8	.31	0	84	60	84	60	—	—	295	EPR	10	10	S334GF02C4BD5	
	11/64	.38	0	45	24	45	24	—	—	295	EPR	10	10	S334GF02C4BD8	
Reduced Power	1/4	1/16	.09	0	160	100	160	100	160	100	180	Nitrile	8	9	S334GF02N3BC5
	3/32	.15	0	100	50	100	50	100	50	180	Nitrile	8	9	S334GF02N3BC9	
	1/8	.26	0	50	30	50	30	50	30	180	Nitrile	8	9	S334GF02N3BD5	
1/4	1/16	.09	0	200	160	200	160	200	160	180	Nitrile	10	10	S334GF02N4BC5	
	3/32	.15	0	150	114	150	114	150	114	180	Nitrile	10	10	S334GF02N4BC9	
	1/8	.31	0	84	60	84	60	84	60	180	Nitrile	10	10	S334GF02N4BD5	
	11/64	.38	0	45	24	45	24	45	24	180	Nitrile	10	10	S334GF02N4BD8	
Reduced Power	1/4	1/16	.09	0	160	100	160	100	160	100	230	Viton	8	9	S334GF02V3BC5
	3/32	.15	0	100	50	100	50	100	50	230	Viton	8	9	S334GF02V3BC9	
	1/8	.26	0	50	30	50	30	50	30	230	Viton	8	9	S334GF02V3BD5	
1/4	1/16	.09	0	200	160	200	160	200	160	230	Viton	10	10	S334GF02V4BC5	
	3/32	.15	0	150	114	150	114	150	114	230	Viton	10	10	S334GF02V4BC9	
	1/8	.31	0	84	60	84	60	84	60	230	Viton	10	10	S334GF02V4BD5	
	11/64	.38	0	45	24	45	24	45	24	230	Viton	10	10	S334GF02V4BD8	

* Class H Coil Recommended for High Temperature Applications

- 1/4" NPT
- Stainless Steel Body
- 3-Way Direct Acting
- Normally Open



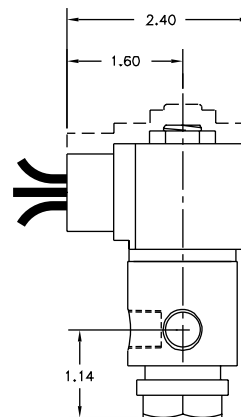
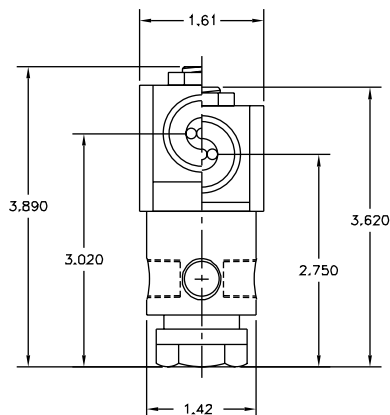
Materials	Seals:	Nitrile, Viton®, Ethylene Propylene
	Orifices:	Stainless Steel
Electrical	Standard Housing:	Encapsulated Waterproof Conduit (NEMA 4/4X)
	Optional Housings:	Metallic Conduit, Explosion-proof (NEMA 7), Grommet, Open Frame, Junction Box (single or dual knockouts), DIN; Contact GC Valves Customer Service for others.
	Standard Voltages:	24, 120, 240 AC 60 Hz; 50 Hz available 6, 12, 24 DC; Contact GC Valves Customer Service for Additional Voltages.
	Voltage Tolerance:	±10% of applicable voltage
	Coil Classes:	F, H, N
	Standard Lead Length:	24 inch
Operating Temperature	Ambient (Nominal):	32°F to 125°F
Mounting	Position	Any
Approvals*	Agency	UL Listed, UL Recognized, CSA Approved

* Not available for all variations

® Registered Trademark of DuPont Co.

Dimensions/Weight

Weight (lbs.)
1.1

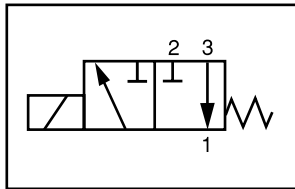




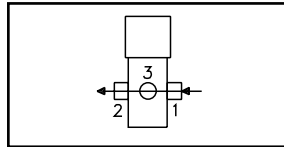
S334 – 1/4" NPT, Stainless Steel Body, Normally Open

Valve Selection List

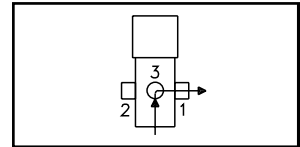
Normally Open



Energized



De-Energized



Pipe Size NPT	Orifice Size IN	C _v	Minimum	Operating Pressure Differential (psi)						Max Fluid Temp. °F	Seal Material	Power Consumption (Watts)		Model Code (120V/60HZ — 110V/50HZ) Shown	
				Maximum								AC	DC		
				Air/Gas		Water		Light Oil							
				AC	DC	AC	DC	AC	DC			AC	DC	Stainless Steel Body	
Reduced Power	1/4	1/16	.09	0	160	100	160	100	—	—	295	EPR	8	9	S334GF02C7BC5
		3/32	.15	0	100	50	100	50	—	—	295	EPR	8	9	S334GF02C7BC9
		1/8	.26	0	50	30	50	30	—	—	295	EPR	8	9	S334GF02C7BD5
1/4	1/16	.09	0	200	160	200	160	—	—	295	EPR	10	10	S334GF02C8BC5	
		3/32	.15	0	150	114	150	114	—	—	295	EPR	10	10	S334GF02C8BC9
		1/8	.31	0	84	60	84	60	—	—	295	EPR	10	10	S334GF02C8BD5
		11/64	.38	0	45	24	45	24	—	—	295	EPR	10	10	S334GF02C8BD8
Reduced Power	1/4	1/16	.09	0	160	100	160	100	160	100	180	Nitrile	8	9	S334GF02N7BC5
		3/32	.15	0	100	50	100	50	100	50	180	Nitrile	8	9	S334GF02N7BC9
		1/8	.26	0	50	30	50	30	50	30	180	Nitrile	8	9	S334GF02N7BD5
1/4	1/16	.09	0	200	160	200	160	200	160	180	Nitrile	10	10	S334GF02N8BC5	
		3/32	.15	0	150	114	150	114	150	114	180	Nitrile	10	10	S334GF02N8BC9
		1/8	.31	0	84	60	84	60	84	60	180	Nitrile	10	10	S334GF02N8BD5
		11/64	.38	0	45	24	45	24	45	24	180	Nitrile	10	10	S334GF02N8BD8
Reduced Power	1/4	1/16	.09	0	160	100	160	100	160	100	230	Viton	8	9	S334GF02V7BC5
		3/32	.15	0	100	50	100	50	100	50	230	Viton	8	9	S334GF02V7BC9
		1/8	.26	0	50	30	50	30	50	30	230	Viton	8	9	S334GF02V7BD5
1/4	1/16	.09	0	200	160	200	160	200	160	230	Viton	10	10	S334GF02V8BC5	
		3/32	.15	0	150	114	150	114	150	114	230	Viton	10	10	S334GF02V8BC9
		1/8	.31	0	84	60	84	60	84	60	230	Viton	10	10	S334GF02V8BD5
		11/64	.38	0	45	24	45	24	45	24	230	Viton	10	10	S334GF02V8BD8

* Class H Coil Recommended for High Temperature Applications

S334 – 1/4" NPT, Stainless Steel Body, Normally Open



Part Numbering

1	2	3	4	5	6	7	8	9	10	11	12	13
S	3	3	4	G	F	0	2	C	7	B	C	5
Series			Operating Mode	Housing*	Coil Class*	Voltage*		Seal Material	Body Material	Pipe Connection	Orifice Size	
S33			4: Normally Open	G: Conduit	F: Class F	02: 120/60 110/50		C: EPR N: Nitrile V: Viton	7: Stainless Steel 8: Stainless Steel	B: 1/4" NPT	C5: 1/16" C9: 3/32" D5: 1/8" D8: 11/64"	
* See the "Engineering Guide" for additional voltages, variations and options.												

Coil Data

Coil Family	
Type	Size
(Body Code)	
7	S3
8	S4

Frequency (Hz)	60		50	
	7	8	7	8
Body	36	46	36	46
Nominal Power (VA)				
Inrush	13	18	14	19
Holding				

- 1/4" NPT
- Brass Body
- 3-Way Direct Acting
- Universal



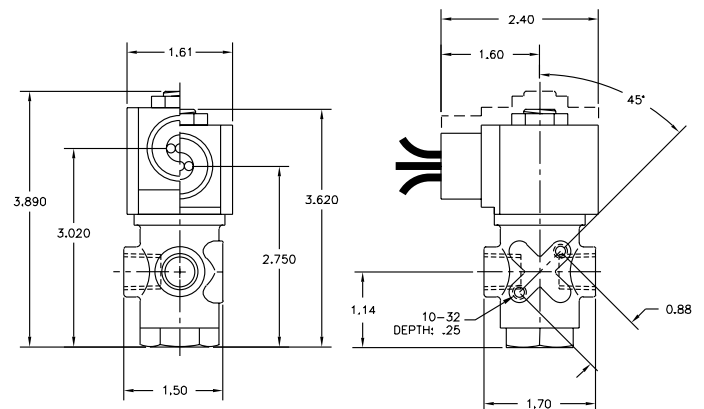
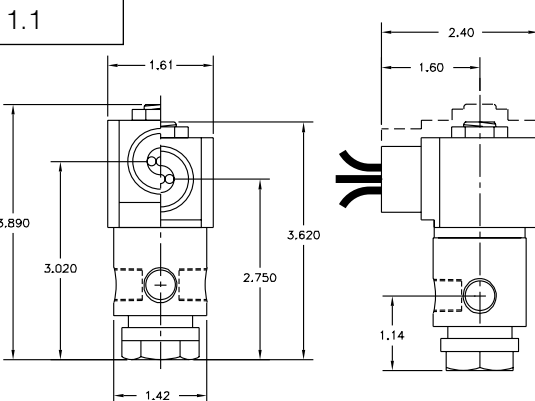
Materials	Seals:	Nitrile, Viton®, Ethylene Propylene
	Orifices:	Brass
Electrical	Standard Housing:	Encapsulated Waterproof Conduit (NEMA 4/4X)
	Optional Housings:	Metallic Conduit, Explosion-proof (NEMA 7), Grommet, Open Frame, Junction Box (single or dual knockouts), DIN; Contact GC Valves Customer Service for others.
	Standard Voltages:	24, 120, 240 AC 60 Hz; 50 Hz available 6, 12, 24 DC; Contact GC Valves Customer Service for Additional Voltages.
	Voltage Tolerance:	±10% of applicable voltage
	Coil Classes:	F, H, N
	Standard Lead Length:	24 inch
Operating Temperature	Ambient (Nominal):	32°F to 125°F
Mounting	Position	Any
Approvals*	Agency	UL Listed, UL Recognized, CSA Approved

* Not available for all variations

® Registered Trademark of DuPont Co.

Dimensions/Weight

Weight (lbs.)

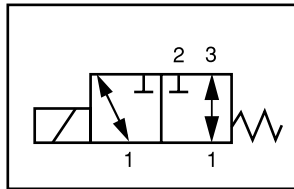




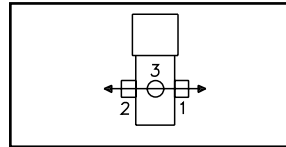
S336 – 1/4" NPT, Brass Body, Universal

Valve Selection List

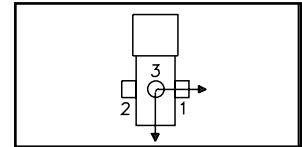
Universal



Energized



De-Energized



Pipe Size NPT	Orifice Size IN	C _v	Minimum	Operating Pressure Differential (psi)						Max Fluid Temp. °F	Seal Material	Power Consumption (Watts)		Model Code (120V/60HZ — 110V/50HZ) Shown	
				Maximum								AC	DC		
				Air/Gas		Water		Light Oil							
				AC	DC	AC	DC	AC	DC			AC	DC	Brass Body	
Reduced Power	1/4	1/16	.09	0	90	50	90	50	—	—	295	EPR	8	9	S336GF02C3BC5
	3/32	.15	0	55	40	55	40	—	—	295	EPR	8	9	S336GF02C3BC9	
	1/8	.26	0	25	20	25	20	—	—	295	EPR	8	9	S336GF02C3BD5	
1/4	1/16	.09	0	100	80	100	80	—	—	295	EPR	10	10	S336GF02C4BC5	
	3/32	.15	0	60	50	60	50	—	—	295	EPR	10	10	S336GF02C4BC9	
	1/8	.31	0	34	30	34	30	—	—	295	EPR	10	10	S336GF02C4BD5	
	11/64	.38	0	22	11	22	11	—	—	295	EPR	10	10	S336GF02C4BD8	
Reduced Power	1/4	1/16	.09	0	90	50	90	50	90	50	180	Nitrile	8	9	S336GF02N3BC5
	3/32	.15	0	55	40	55	40	55	40	180	Nitrile	8	9	S336GF02N3BC9	
	1/8	.26	0	25	20	25	20	25	20	180	Nitrile	8	9	S336GF02N3BD5	
1/4	1/16	.09	0	100	80	100	80	100	80	180	Nitrile	10	10	S336GF02N4BC5	
	3/32	.15	0	60	50	60	50	60	50	180	Nitrile	10	10	S336GF02N4BC9	
	1/8	.31	0	34	30	34	30	34	30	180	Nitrile	10	10	S336GF02N4BD5	
	11/64	.38	0	22	11	22	11	22	11	180	Nitrile	10	10	S336GF02N4BD8	
Reduced Power	1/4	1/16	.09	0	90	50	90	50	90	50	230	Viton	8	9	S336GF02V3BC5
	3/32	.15	0	55	40	55	40	55	40	230	Viton	8	9	S336GF02V3BC9	
	1/8	.26	0	25	20	25	20	25	20	230	Viton	8	9	S336GF02V3BD5	
1/4	1/16	.09	0	100	80	100	80	100	80	230	Viton	10	10	S336GF02V4BC5	
	3/32	.15	0	60	50	60	50	60	50	230	Viton	10	10	S336GF02V4BC9	
	1/8	.31	0	34	30	34	30	34	30	230	Viton	10	10	S336GF02V4BD5	
	11/64	.38	0	22	11	22	11	22	11	230	Viton	10	10	S336GF02V4BD8	

* Class H Coil Recommended for High Temperature Applications

- 1/4" NPT
- Stainless Steel Body
- 3-Way Direct Acting
- Universal



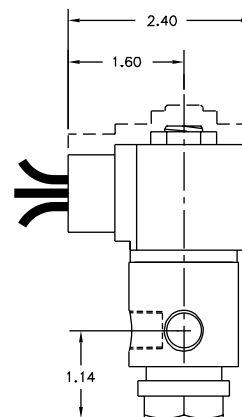
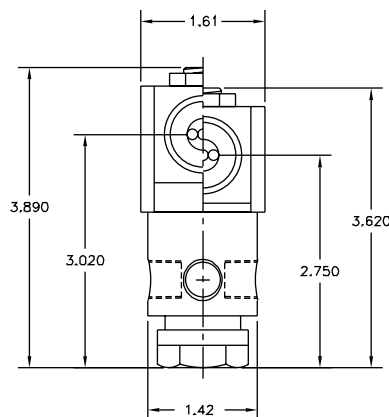
Materials	Seals:	Nitrile, Viton®, Ethylene Propylene
	Orifices:	Stainless Steel
Electrical	Standard Housing:	Encapsulated Waterproof Conduit (NEMA 4/4X)
	Optional Housings:	Metallic Conduit, Explosion-proof (NEMA 7), Grommet, Open Frame, Junction Box (single or dual knockouts), DIN; Contact GC Valves Customer Service for others.
	Standard Voltages:	24, 120, 240 AC 60 Hz; 50 Hz available 6, 12, 24 DC; Contact GC Valves Customer Service for Additional Voltages.
	Voltage Tolerance:	±10% of applicable voltage
	Coil Classes:	F, H, N
	Standard Lead Length:	24 inch
Operating Temperature	Ambient (Nominal):	32°F to 125°F
Mounting	Position	Any
Approvals*	Agency	UL Listed, UL Recognized, CSA Approved

* Not available for all variations

® Registered Trademark of DuPont Co.

Dimensions/Weight

Weight (lbs.)
1.1

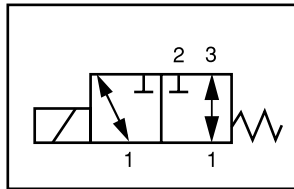




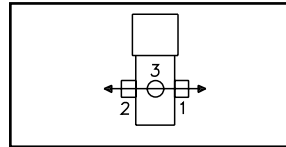
S336 – 1/4" NPT, Stainless Steel Body, Universal

Valve Selection List

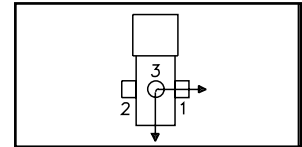
Universal



Energized



De-Energized



Pipe Size NPT	Orifice Size IN	C _v	Minimum	Operating Pressure Differential (psi)						Max Fluid Temp. °F	Seal Material	Power Consumption (Watts)		Model Code (120V/60HZ — 110V/50HZ) Shown	
				Maximum								AC	DC		
				Air/Gas		Water		Light Oil							
				AC	DC	AC	DC	AC	DC			AC	DC	Stainless Steel Body	
Reduced Power	1/4	1/16	.09	0	90	50	90	50	–	–	295	EPR	8	9	S336GF02C7BC5
		3/32	.15	0	55	40	55	40	–	–	295	EPR	8	9	S336GF02C7BC9
		1/8	.26	0	25	20	25	20	–	–	295	EPR	8	9	S336GF02C7BD5
1/4	1/16	.09	0	100	80	100	80	–	–	295	EPR	10	10	S336GF02C8BC5	
		3/32	.15	0	60	50	60	50	–	–	295	EPR	10	10	S336GF02C8BC9
		1/8	.31	0	34	30	34	30	–	–	295	EPR	10	10	S336GF02C8BD5
		11/64	.38	0	22	11	22	11	–	–	295	EPR	10	10	S336GF02C8BD8
Reduced Power	1/4	1/16	.09	0	90	50	90	50	90	50	180	Nitrile	8	9	S336GF02N7BC5
		3/32	.15	0	55	40	55	40	55	40	180	Nitrile	8	9	S336GF02N7BC9
		1/8	.26	0	25	20	25	20	25	20	180	Nitrile	8	9	S336GF02N7BD5
1/4	1/16	.09	0	100	80	100	80	100	80	180	Nitrile	10	10	S336GF02N8BC5	
		3/32	.15	0	60	50	60	50	60	50	180	Nitrile	10	10	S336GF02N8BC9
		1/8	.31	0	34	30	34	30	34	30	180	Nitrile	10	10	S336GF02N8BD5
		11/64	.38	0	22	11	22	11	22	11	180	Nitrile	10	10	S336GF02N8BD8
Reduced Power	1/4	1/16	.09	0	90	50	90	50	90	50	230	Viton	8	9	S336GF02V7BC5
		3/32	.15	0	55	40	55	40	55	40	230	Viton	8	9	S336GF02V7BC9
		1/8	.26	0	25	20	25	20	25	20	230	Viton	8	9	S336GF02V7BD5
1/4	1/16	.09	0	100	80	100	80	100	80	230	Viton	10	10	S336GF02V8BC5	
		3/32	.15	0	60	50	60	50	60	50	230	Viton	10	10	S336GF02V8BC9
		1/8	.31	0	34	30	34	30	34	30	230	Viton	10	10	S336GF02V8BD5
		11/64	.38	0	22	11	22	11	22	11	230	Viton	10	10	S336GF02V8BD8

* Class H Coil Recommended for High Temperature Applications

S336 – 1/4" NPT, Stainless Steel Body, Universal



Part Numbering

1	2	3	4	5	6	7	8	9	10	11	12	13
S	3	3	6	G	F	0	2	C	7	B	C	5
Series			Operating Mode	Housing*	Coil Class*	Voltage*		Seal Material	Body Material	Pipe Connection	Orifice Size	
S33			6: Universal	G: Conduit	F: Class F	02: 120/60 110/50		C: EPR N: Nitrile V: Viton	7: Stainless Steel 8: Stainless Steel	B: 1/4" NPT	C5: 1/16" C9: 3/32" D5: 1/8" D8: 11/64"	
* See the "Engineering Guide" for additional voltages, variations and options.												

Coil Data

Coil Family	
Type	Size
(Body Code)	
7	S3
8	S4

Frequency (Hz)	60		50	
	7	8	7	8
Body	7	8	7	8
Nominal Power (VA)				
Inrush	36	46	36	46
Holding	13	18	14	19

Mountain Controls



COPPUS®
Air Movers

Portable Ventilators
Fans & Blowers
Welding Fume Exhausters
Ducts



**POWERS
PROCESS CONTROLS**
Quality...Our Commitment

Control Valves – Globe Type
Temperature Regulators
Self-Contained Temperature Controllers



MARSH

Pressure Gauges
Thermometers
Needle Valves and Diaphragm Seals



BELLOFRAM
Precision Controls

Precision Air Regulators
Air, Gas, Steam & Water Regulators
Vacuum and Backpressure Regulators
I/P and E/P Transducers



RCS

Electric Actuators
Modulating Controllers
Spring Return – SURE
Mounting to your valves.



G & C
VALVES

Solenoid Valves
Water – Air – Hot Water – Steam
Pilot Valves



**MOORE
INDUSTRIES**
WORLDWIDE

Process Controllers
Multi-Loop Process Indicators with Switches



A-T Controls, Inc.

Ball Valves and Actuators
Spring Return Electric Actuators
Resilient Seated Butterfly Valves
High Performance Butterfly Valves



SVF
Flow Controls, Inc.

Ball Valves – 3-piece
Pneumatic Actuators
Electric Actuators
Specialty Valves



**Valve
Actuator Mounting**

We stock electric actuators and can provide the mounting and testing to the valve of your choice

**Mountain
Controls**

Salt Lake City, UT 84109
Phone: 801-487-8795

Seattle, WA 98125
Phone: 206-316-2330

www.mountaincontrols.com

info@mountaincontrols.com